



Storage Platforms



Storage Platforms

The most efficient solution for the creation of additional space

OHRA storage platforms offer unlimited opportunities to increase existing storage area, thanks to the use of modular elements made of steel.

The flexible steel construction platforms can also be used as a production, commissioning or sales platform. Through individual production and high load capacity, the possibilities are unlimited.

OHRA storage platforms fit perfectly into existing spaces

We've planned and implemented racking system storage platforms in Germany and abroad for more than 30 years.

Our customers benefit from the many years of experience and the ideas of our well-trained technical consultants.

The solid steel construction platforms can be integrated into your existing storage rooms without additional installation - with operations on-going and with a short construction period.

Storage platforms of Ohra are solid, durable and yet individual and cost efficient!

Your advantages:

- Efficient, cost-effective solution for doubling storage areas
- Freely selectable support column grid
- Short construction time, easy assembly
- Load capacity according to specifications
- Can be combined with racking systems as a mezzanine
- Multi-storey construction is possible
- Various floor coverings, staircase and railings options
- Wide range of accessories for an individual design



OHRA Storage Platforms

The second level in the warehouse – solo or as a combination with racking systems

We'll plan your new storage platform with you. From standard to multi-level platforms to special constructions as a mezzanine floor with racking systems – we can execute your ideas!



Storage Platform Details

Support, latch, purlins

- Use of hot-rolled quality steel profiles
- Structural analysis and manufacturing according to DIN EN 1090 CE and DIN EN 1193-1 (EC3-1)

Stairs

- Low-vibration quality stairs
- Placement unlimited, also inside the platform
- Railings in steel/steel or steel/wood construction
- Various stair and platform coverings

Railings

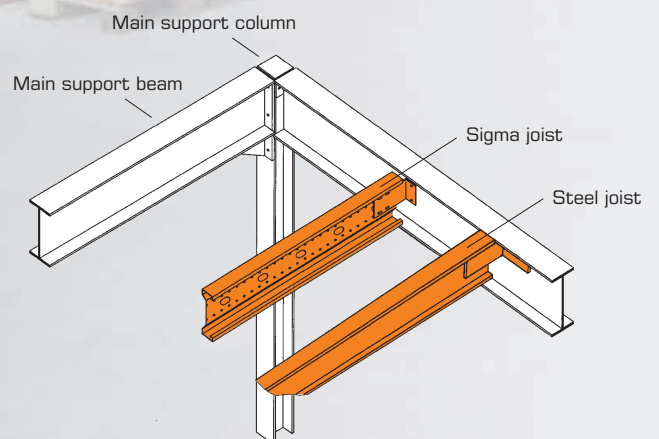
- Completely screwed
- Execution in steel/steel or steel/wood
- Railings supports in steel in the colour of the platform
- Including knee bar and toe board

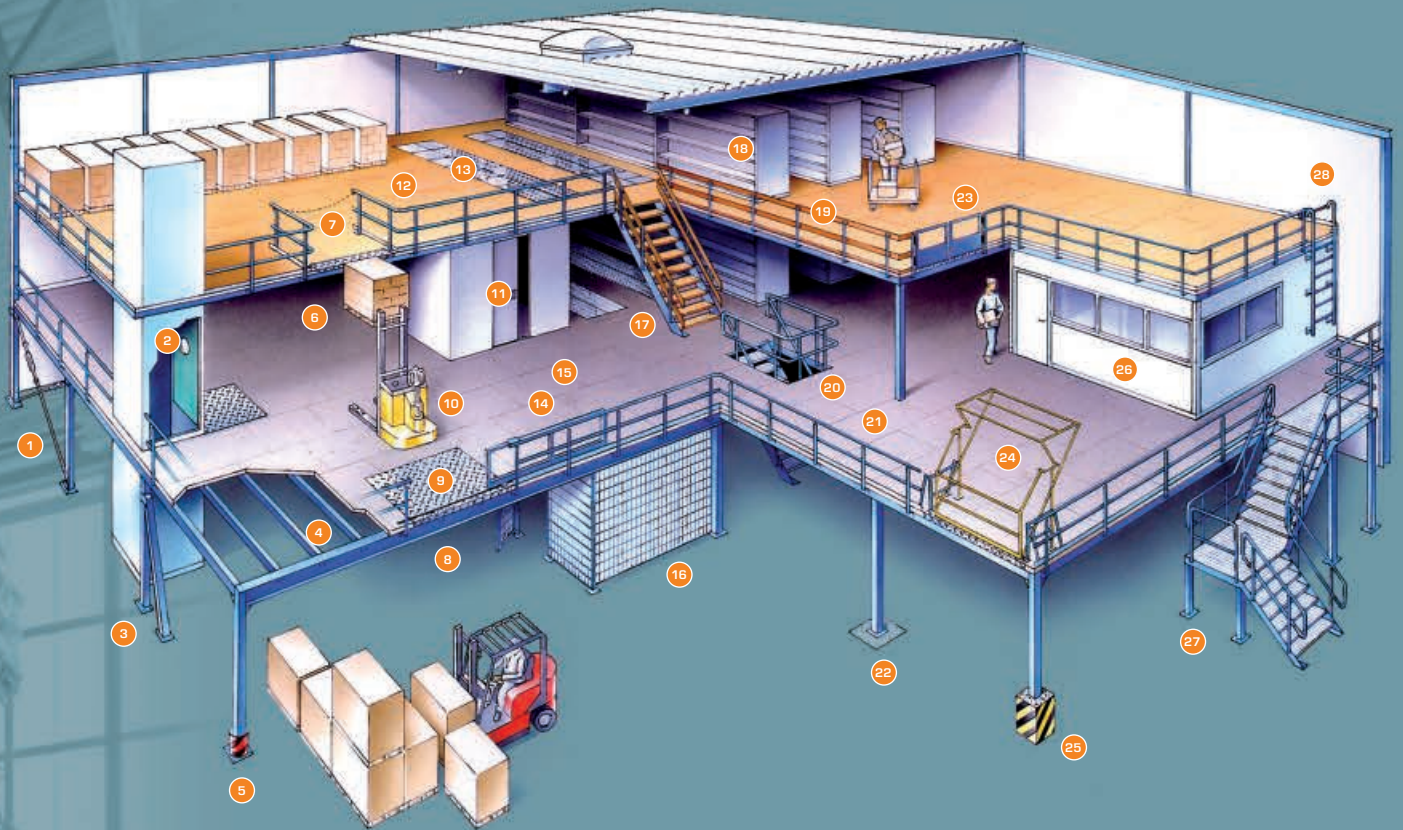
Transfer Station

- Tested according to German Accident Prevention Regulations (UVV), and German Federal Geosciences and Raw Materials Agency (BGR) 234
- Secured with a chain by default
- As an alternative as a space-saving sliding door or swing gate
- On request as a sluice or flap door

Floor covering

- Standard as a particle board v20E1, 38 mm, raw/raw
- With white coated underside for more light under the platform
- As an option with anti-skid structured cover
- Gratings or bulb plate available on request





1 Cross ties with clamping device

2 Building lift

3 Raker pile

4 Purlin detail

5 Column protection

6 Aluminium kick plate

7 Standard pallet gate with inner railing and security chain

8 Huge free span

9 Aluminium protection plate

10 Lift truck on the mezzanine with high point load capacity

11 Separating walls as closed storage area, here with sliding door

12 Covering with chipboard rough/rough, optionally laminated rough/white

13 Gratings for light and air opening and smoke outlet

14 Pallet gate with sliding gate

15 Anti-slip covering

16 Separating wall elements (meshed fence)

17 Stairs with timber steps

18 Free standing racking systems on the mezzanine

19 Timber railing

20 Integrated stair within the mezzanine area

21 Steel railing, banister made of circular tubes

22 Concrete foundation

23 Pallet gate with swinging gate

24 Up and over pallet gate

25 Special column protection

26 System walls, here as foreman office

27 Stair, 90° angle with grating steps

28 Escape stair with protection device

29 For fire protection special covering or special colour (no picture)



Palett Racks Storage Platform:

Construction as double-decker platform, with transfer station and integrated sprinkler system.



Cantilever racking storage platform:

Construction as a mezzanine level. Below storage of wood-based panels, top storage of squared timber. Manual operation as direct access.



Cantilever arm storage platform in metal warehouse. Storage of profiles in cantilever racks over 2 floors. Top level for packaged goods and solid piled storage.



Solid storage platform with outside staircase and conveyor systems for boxes. High spans allow much freedom of movement under the platform.



Storage platform in the building materials trade. Storage area up to the warehouse roof. Placement of the stairs outside, with pedestal and railings in steel/steel construction.



Visually appealing, and functionally planned and produced. Including transfer stations and lighting.



In the furniture storage. High support columns for the storage of bulky furniture parts. Storage platform with 3 floors, complete with railings, transfer station and sprinkler system from a single source.



Storage and picking on 3 levels. Maximum possible use of the existing storage area including a tier above the gate.

Application Examples



In a multi-storey storage platform. Wholesale distributor. Storage of more than 5000 articles, preparation and order picking on a minimal footprint.



Doubling the area in the steel industry. Top and Bottom work-spaces. Load of 1,000 kg/sq. m.



Solid steel construction storage platform in construction material warehouse. Here with integrated conveyor equipment through the installation of roller conveyors.



Tailored to the existing warehouse dimensions. Storage platform with racks beneath and on top of the platform.



Hot dip galvanized steel construction platform for outdoor use. Use of the bottom floor as parking spaces.



Storage platform with cantilever racks as mezzanine floor. Top packaged goods storage and partial racking.